

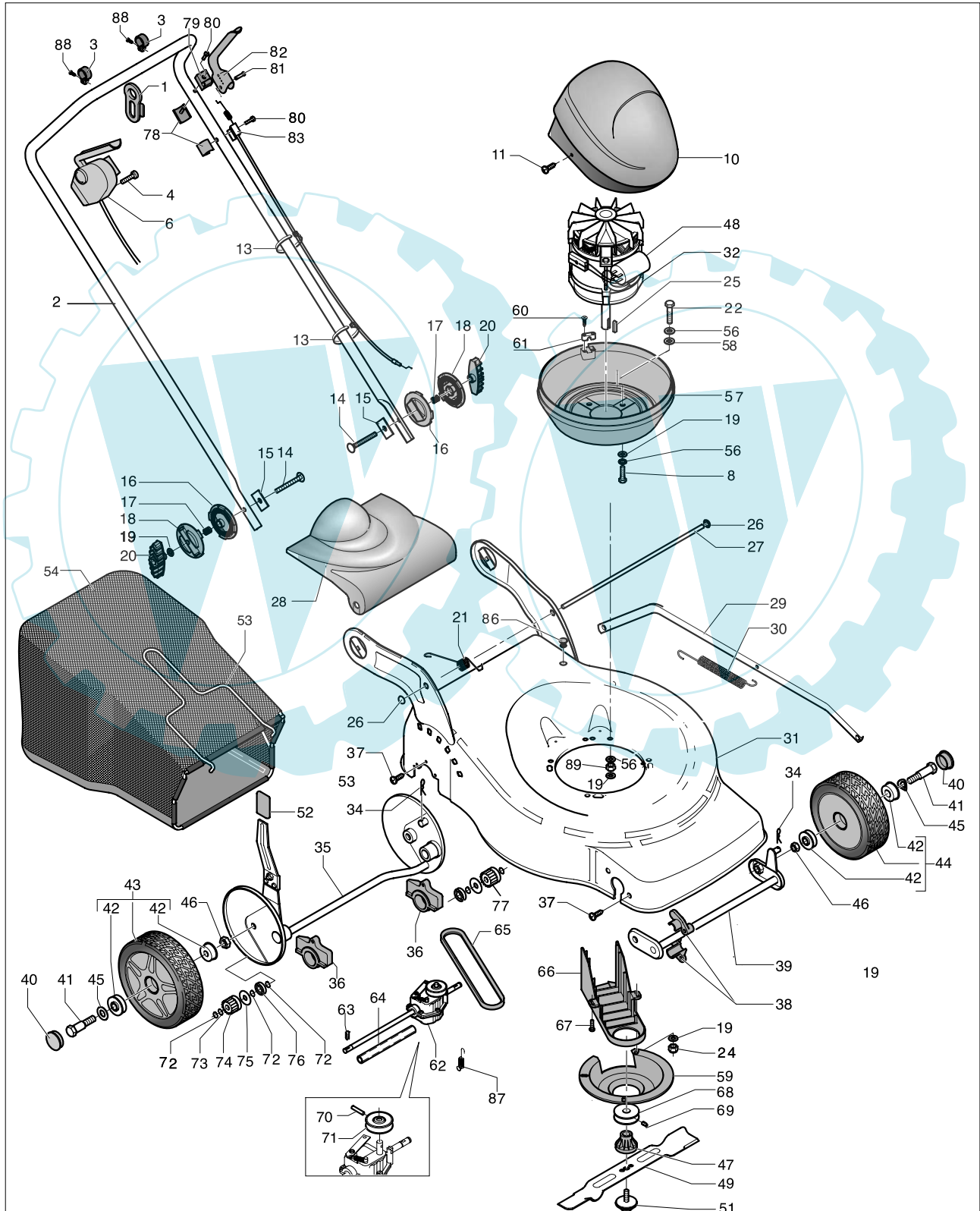
**ELECTROLUX OUTDOOR PRODUCTS**

brand	<b>GARDOL</b>
-------	---------------

date	MAR/04	SHEET 1/2
------	--------	-----------

Model	<b>4618 ER</b>
-------	----------------

Product number	<b>953876515</b>
----------------	------------------



## ELECTROLUX OUTDOOR PRODUCTS

brand **GARDOL**

date MAR\04 SHEET 02/02

Model

**4618 ER**

Product number

**953876515**

Pos.	PN ELX	DESCRIPTION	Q.ty	Pos.	PN ELX	DESCRIPTION	Q.ty
1	531207051	CABLE HOOK	1	47	531211645	BLADE ADAPTER	1
2	531212753	HANDLE	1	48	531207070	CAPACITOR	1
3	531207063	LOCK RING	2	49	531211652	BLADE	1
4	531207675	SCREW	2	51	531211594	SCREW	1
6	531207081	SWITCH	1	52	531207986	SHEATING	1
8	531208586	SCREW	4	53	531211436	BAG FRAME	1
9	531211178	SACK FRAME	1	54	531212740	SACK	1
10	531212543	DEFLECTOR	1	56	531207981	WASHER	7
11	531208216	SCREW	4	57	531207069	MOTOR HOUSING	1
13	531205581	CLAMP	1	58	531205552	WASHER	3
14	531211480	SCREW	2	59	531206007	SAFETY HOUSING	1
15	531211581	PLATE	2	60	531207065	SCREW	2
16	531211473	DISK	2	61	531207043	CABLE LOCK	1
17	531211476	SPRING	2	62	531204755	GEAR-BOX	1
18	531211474	DISK	2	63	531205108	KEY	2
19	531204922	WASHER	6	64	531207697	SPACER TUBE	1
20	531205840	KNOP	2	65	531207280	BELT	1
21	531211840	SPRING	1	66	531205047	BELT HOUSING	1
22	531211526	SCREW	3	67	531207856	SCREW	3
24	531208599	NUT	3	68	531205994	PULLEY	1
25	531207041	KEY	1	69	531205998	SCREW	1
26	531210824	WASHER	2	70	531207703	PIN	1
27	531211441	TIE-ROD	1	71	531208899	PULLEY	1
28	531212756	DEFLECTOR	1	72	531208772	SEEGER	6
29	531205069	ROD	1	73	531208859	WASHER	2
30	531205056	SPRING	1	74	531205045	PINION	1
31	531212079	DECK	1	75	531207847	WASHER	2
32	531212657	ENGINE	1	76	531208778	BALL-BEARING	2
34	531206653	COTTER PIN	2	77	531205046	PINION	1
35	531205100	AXLE	1	78	531205978	CABLE LOCK	2
36	531205944	SUPPORT	2	79	531206040	HANDLE LOWER	1
37	531208844	SCREW	6	80	531208217	SCREW	2
38	531205057	SUPPORT	4	81	531206032	PIN	1
39	531205050	AXLE	1	82	531206027	LEVER	1
40	531210580	PLUG	4	83	531211152	CABLE	1
41	531205042	SCREW	4	86	531205557	CABLE LOCK	1
42	531205214	BALL-BEARING	4	87	531206182	SPRING	1
43	531210613	WHEEL	2	88	531208216	SCREW	2
44	531210703	WHEEL	2	89	531207982	NUT	3
45	531206644	WASHER	4				
46	531207978	NUT	4				